

# RatRig

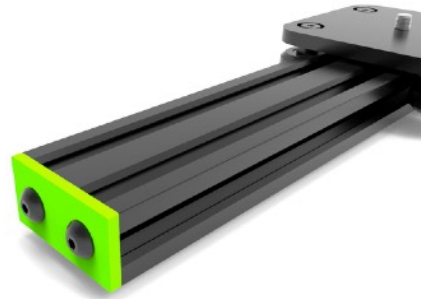
## V-SLIDER/V-SLIDER MINI LEG KIT

### Installation Instructions

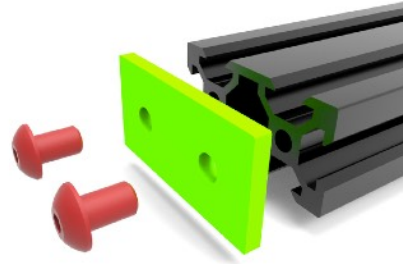
V-Slider legs require a quick one-time initial setup to ensure easy mounting and un-mounting. After initial installation V-Legs can be mounted in seconds without any tools, whenever you need them.



1



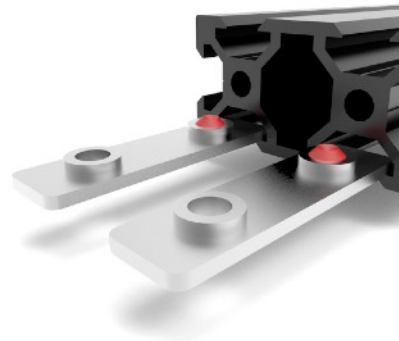
2



3



4



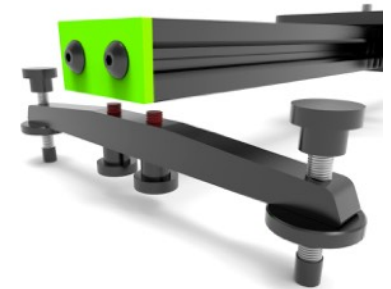
5



6



7



8

